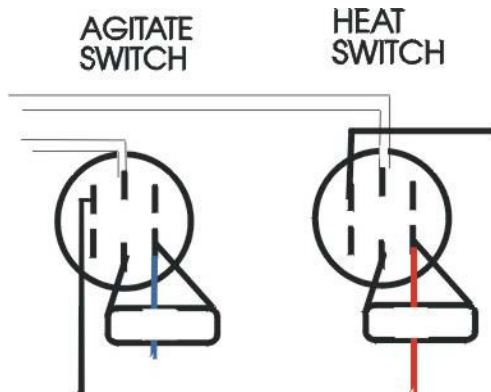


Heat Agitate Switch Replacement A200/A200I



1. Detach the wire connections to the switch.
2. Unscrew the collar holding the switch in the cabinet.
3. Remove the switch.
4. Install the new switch and screw the collar on.
5. Wire the switch as shown in the wiring diagram.

Unscrew this Collar

