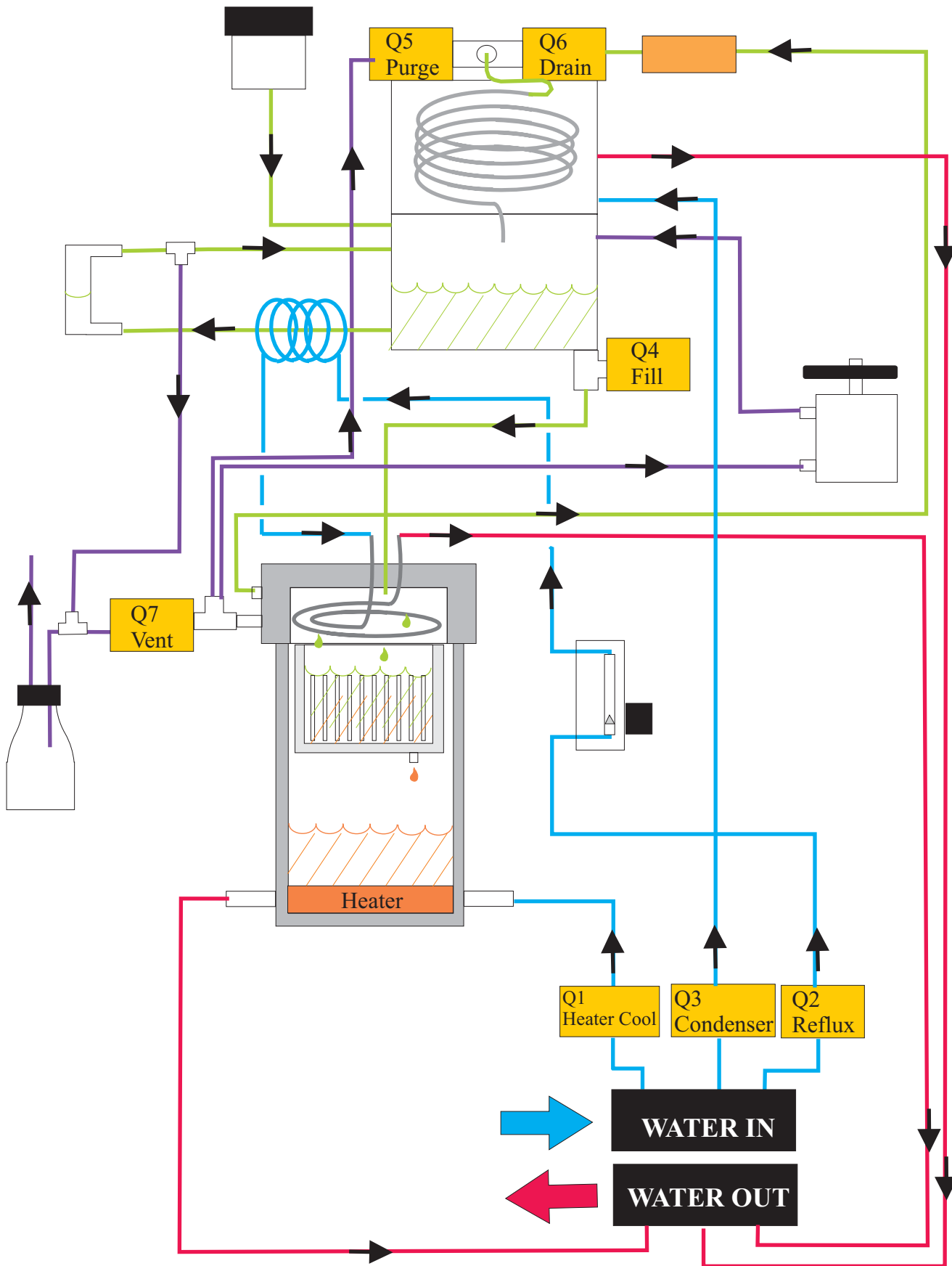


**XT15 Solvent, Vent, and Water Diagram Pg 1**  
**General Circulation Pattern of the XT15**

**Service Procedure #106**  
(4 pages)

- Cold Water
- Warm Water
- Fresh Solvent
- Solvent Vent

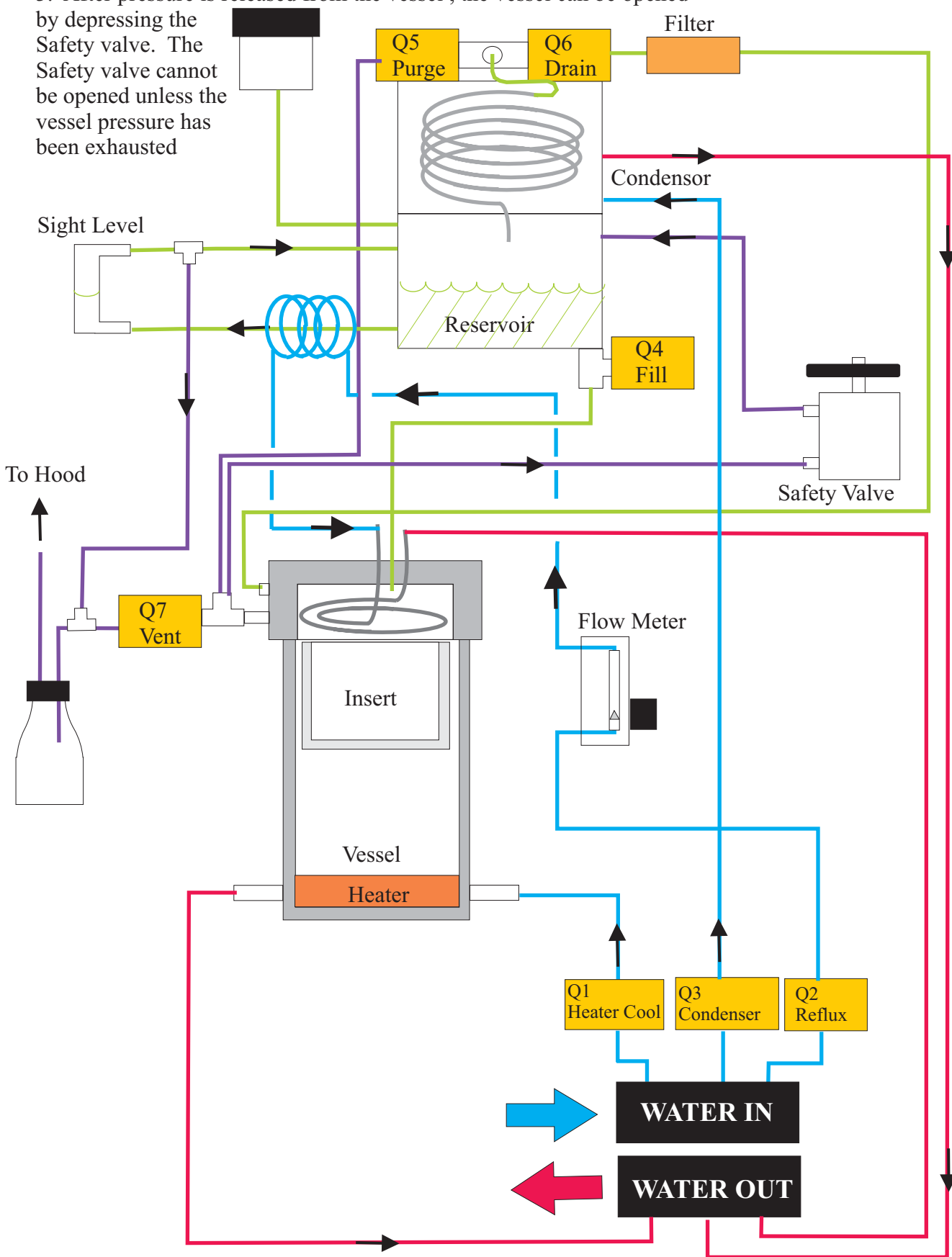


# XT15 Solvent , Vent, and Water Diagram P2

Instrument on, press STOP to end extraction.

1. Instrument power switch on-No valves are activated.
2. Any time during an extraction the STOP button may be pushed to end the extraction-Valves 1 and 3 are activated.
3. After pressure is released from the vessel , the vessel can be opened by depressing the Safety valve. The Safety valve cannot be opened unless the vessel pressure has been exhausted

- Cold Water
- Warm Water
- Fresh Solvent
- Solvent Vent



### XT15 Solvent , Vent, and Water Diagram P3

#### Heating

The Start button is pushed-

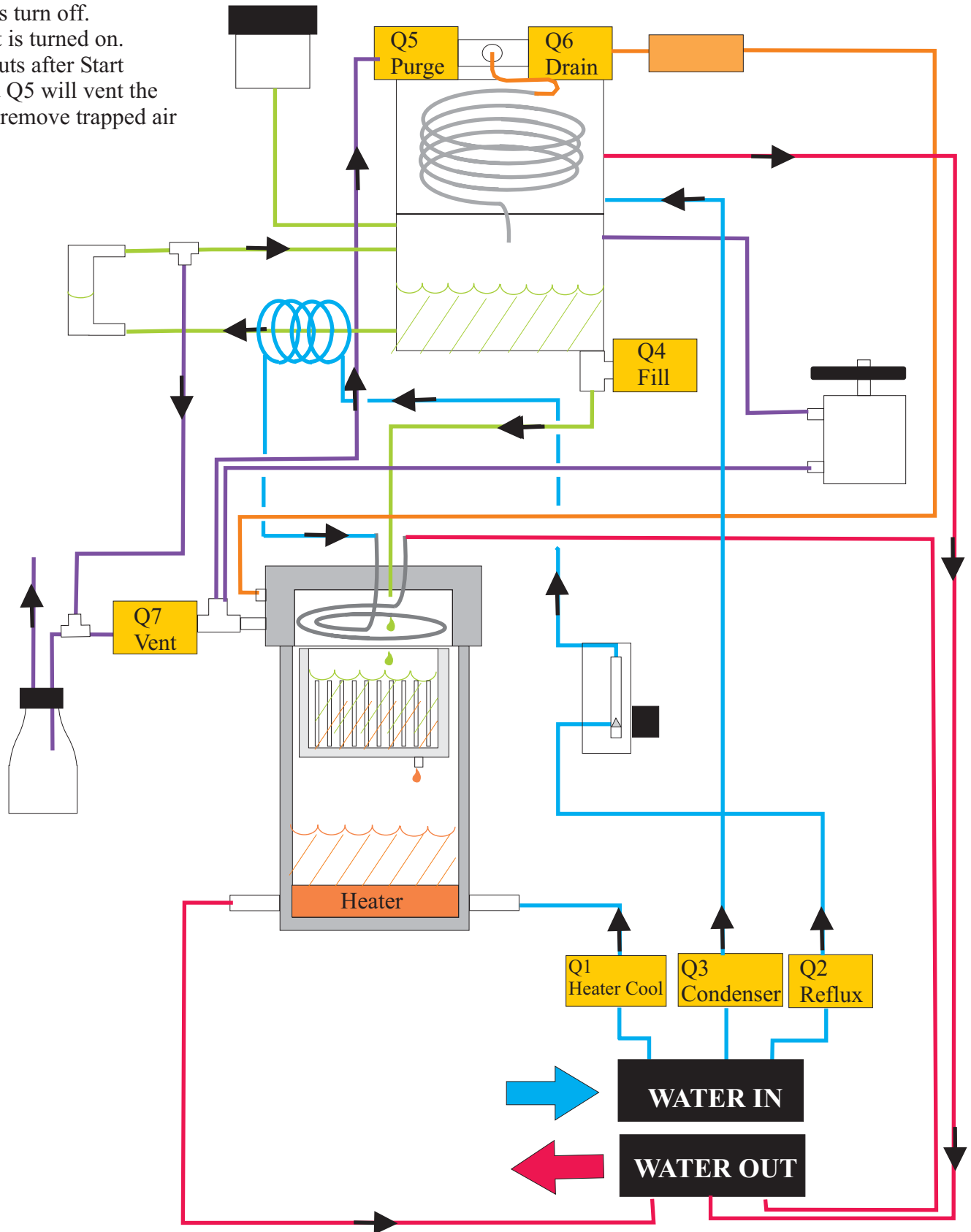
-Valves Q1, Q3, Q4, and Q5 open. The vessel fills with solvent.

When the vessel is full ,all valves turn off.

-The heat is turned on.

-2 ½ minuts after Start is pushed Q5 will vent the vessel to remove trapped air

- Cold Water
- Warm Water
- Fresh Solvent
- Solvent Vapor
- Solvent Vent



### XT15 Solvent , Vent, and Water Diagram P4

-Q2 turns on and off for reflux when set Temperature is reached.

When extraction is complete-Q3,Q6 turn on, Q2 is off.

Solvent vapor is exhausted, solvent passes through the condenser and distills solvent.

-After the solvent is emptied, the heat shuts off and Q1 turns on to cool the vessel.

Q3, Q6 are off

- Cold Water
- Warm Water
- Fresh Solvent
- Solven Vaport
- Solvent Vent

